

### SINGLE STAGE OIL ROTARY VANE VACUUM PUMP



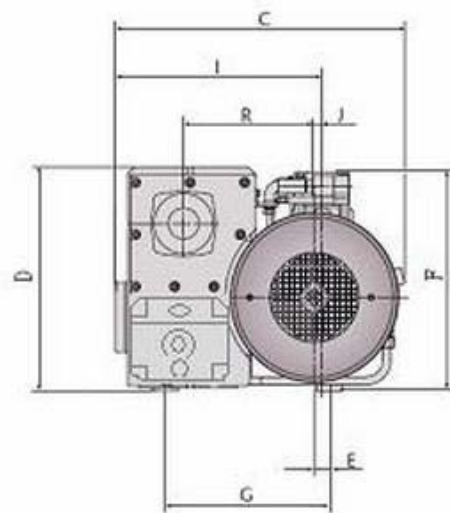
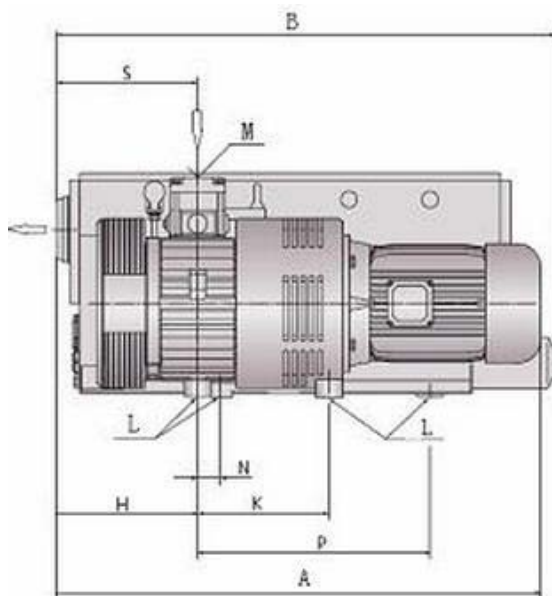
**RA0160D**

**RA0202D**

**RA0250D**

**RA0302D**

Model	Unit	RA0160D		RA0202D		RA0250D		RA0302D	
		50HZ	60HZ	50HZ	60HZ	50HZ	60HZ	50HZ	60HZ
Nominal Capacity	m <sup>3</sup> /h	160	190	200	240	250	300	300	360
Ultimate Vacuum	mbar	0.5		0.5		0.5		0.5	
Motor Power	KW	4		4.5		5.5		7.5	
Motor speed	rpm	1450	1750	1450	1750	1450	1750	1450	1750
Sound Level	dB	72		72		74		74	
Oil Filling	L	5.0		5.0		6.5		6.5	
Interface Size		G2		G2		G2		G2	
Weight	KG	140		140		190		190	



Size (mm)	A	B	C	D	E	F	G	H	I	J	K	L	M	N	P
RA0160D	835	855	495	435	25	425	310	225	345	15	240	M10	G2	35	420
RA0202D	835	855	495	435	25	425	310	225	345	15	240	M10	G2	35	420
RA0250D	856	980	560	440	30	430	355	260	385	20	300	M10	G2	40	390
RA0302D	856	1010	560	440	37	430	355	260	385	27	300	M10	G2	40	390